

**EXPLOSION PROOF  
END-LINE FLAME ARRESTER**

**FLAME ARRESTER**

**FE TYPE**



**Benefits**

- Meet the latest international rule requirement of API 2000 and EN 12874
- Protection against explosion and deflagration flame
- High flow capacity and minimum pressure loss
- Available bi-directional flow and flame passage
- Available vertical and horizontal installation
- Very easy maintenance for quick cleaning
- High performance chemical resistance material

**General**

The flame arrester is designed to prevent flame transmission when flammable gas/air- or vapor/air-mixtures are present.

The model end-line flame arrester is designed, manufactured and tested according to API 2000 and EN 12874.

Body material of arrester is available for nodular cast iron, cast steel, stainless steel grade 304, 316, 316L and special alloy steel for chemical resistance.

The material of element is available for stainless steel grade 316L or special alloy steel for chemical resistance.

The flame element is constructed with crimped ribbon metal.

**Specification of gas/air-mixtures for deflagration and detonation tests(EN12874:2001)**

Range of Application (Marking)		Requirement for test mixture	
Explosion group	MESG of mixture (mm)	Gas type	Gas in air by volume(%)
IIA	> 0.90	Propane	4.2 ± 0.2
IIB1	≥0.85	Ethylene	5.0 ± 0.1
IIB2	≥0.75		5.5 ± 0.1
IIB3	≥0.65		6.5 ± 0.5
IIB	≥0.50	Hydorgen	45.0 ± 0.5
IIC	< 0.50	Hydorgen	28.5.2 ± 2.0

MESG : Maximum Experimental Safe Gap

**PROSAVE**

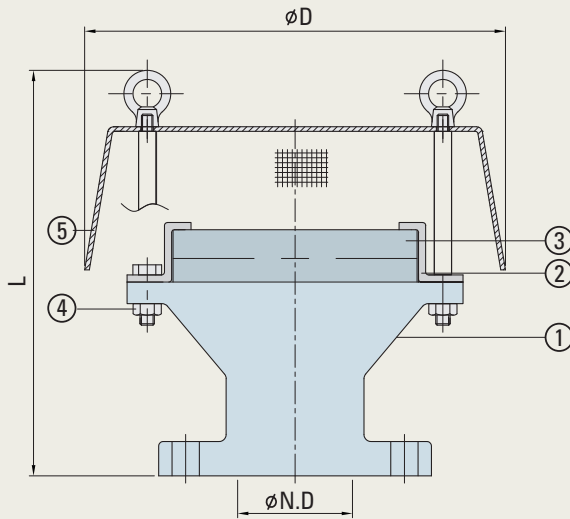
ISO 9001 Registered

185, Gomo-ro 324beon-gil, Jillye-myeon, Gimhae-si,  
Gyeongsangnam-do, Korea  
TEL. +82 (0)55 313 3510~1 FAX. +82 (0)55 313 3512  
E-mail: prosave@prosave.co.kr www.prosave.co.kr

**EXPLOSION PROOF  
END-LINE FLAME ARRESTER**

**PROSAVE  
FLAME ARRESTER**

**FE TYPE**



**Dimension Table**

Unit = mm

TYPE	FE-1	FE-1 1/2	FE-2	FE-3	FE-4	FE-5	FE-6	FE-8	FE-10	FE-12
SIZE	25A	40A	50A	80A	100A	125A	150A	200A	250A	300A
N.D	25	40	50	80	100	125	150	200	250	300
øD	250	250	250	293	350	379	445	540	635	774
L	245	245	245	262	315	340	393	437	492	520

**Materials of Construction**

NO	DESCRIPTION	SPEC. 1	SPEC. 2	SPEC. 3
1	BODY	Carbon Steel	Stainless Steel 304	Stainless Steel 316/316L
2	ELEMENT RING	Stainless Steel 304	Stainless Steel 304	Stainless Steel 316/316L
3	ELEMENT	Stainless Steel 304	Stainless Steel 304	Stainless Steel 316/316L
4	BOLT/NUT	Stainless Steel 304	Stainless Steel 304	Stainless Steel 316
5	HOOD	SPCC	SPCC	SPCC

\* Other material is available on special request by customers

**PROSAVE CO., LTD.**

ISO 9001 Registered

185, Gomo-ro 324beon-gil, Jillye-myeon, Gimhae-si,  
Gyeongsangnam-do, Korea  
TEL. +82 (0)55 313 3510~1 FAX. +82 (0)55 313 3512  
E-mail: prosave@prosave.co.kr www.prosave.co.kr